

HURTADO SMOKEBOX

- 7ga Tuning Plates To Direct Heat and Smoke Where You Want It
- Rear Storage for Removable Grill Lid and Tuning Plates
- Heavy Duty 10ga Semi-Insulated Firebox With Sealed Firebox Door
- Tel-Tru 750° Thermometer

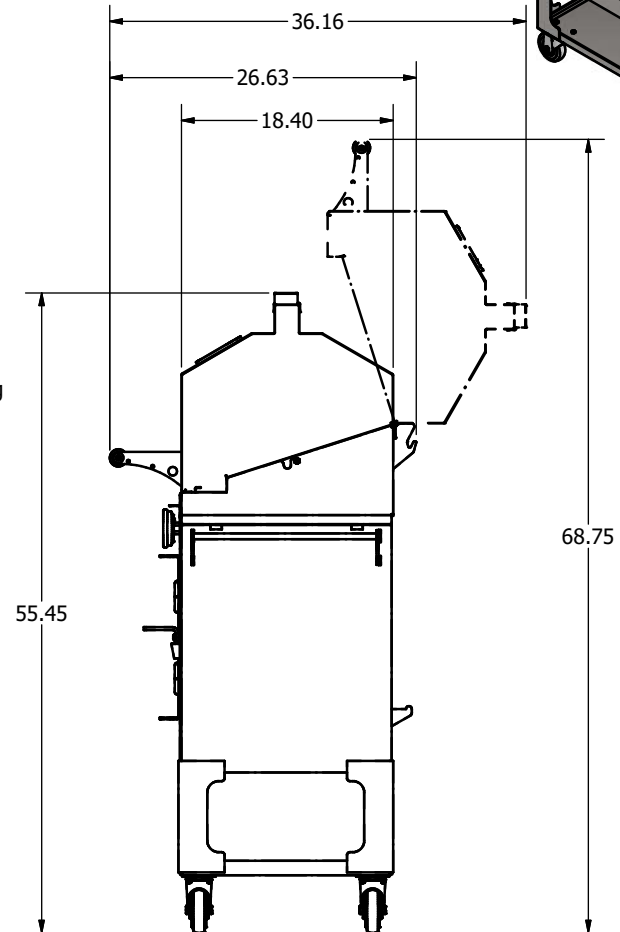
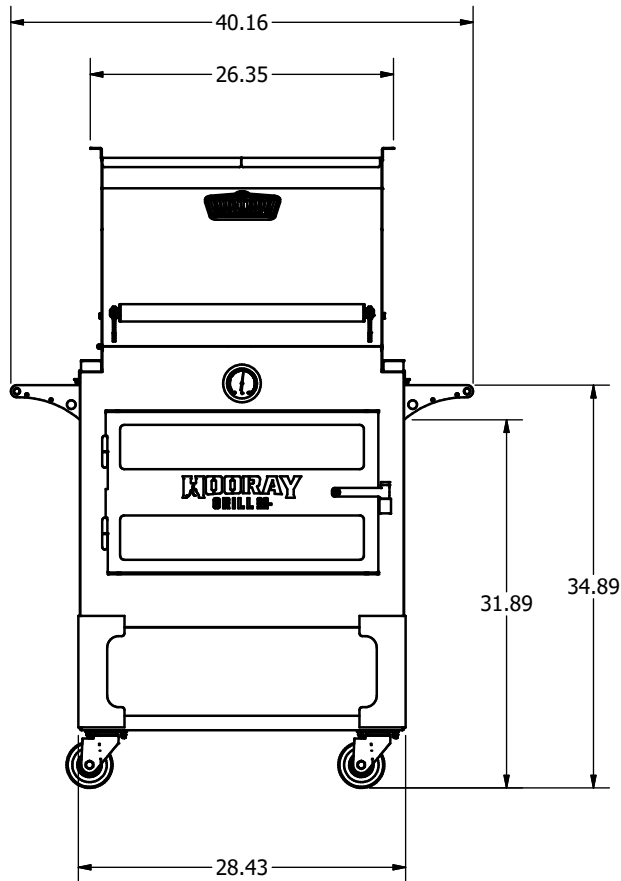
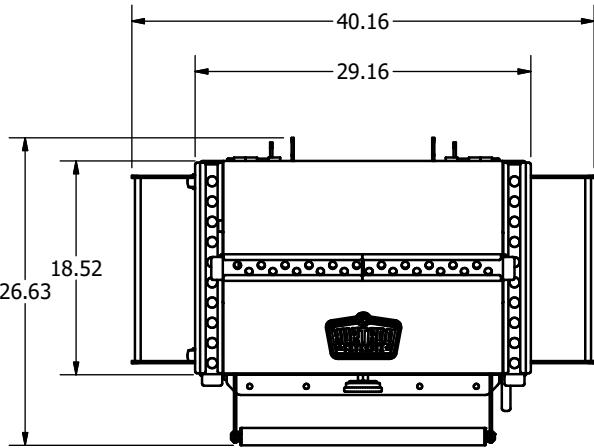
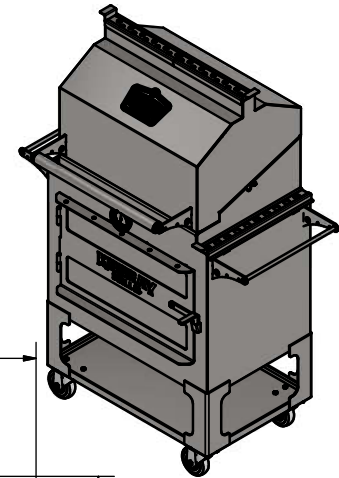
- 390 Sq Inches of Cooking Area Standard
- Fully Symmetrical Cooking Chamber
- Includes Industry Standard Expanded Metal Smoking Grate

- Bare Steel with Mineral Oil Coating*
- 14ga Metal Wood Shelf
- Full Swivel Commercial 4" Locking Casters

Optional Accessories:

- Top Rack - Adds 225 Sq Inches of Cooking Area
- Plancha
- Side Tables
- Rotisserie Kit
- Competition Steak Searing Grate
- Hydro-Smoke Water Tray

*Painted with stainless trim optional



	Created By	Scott	Date	6/26/2023	Weight	265lbs
	Part No.	HR9007		Description	Hurtado Smokebox	
	Drawn By	D	Date of Issue		Sheet	1/1